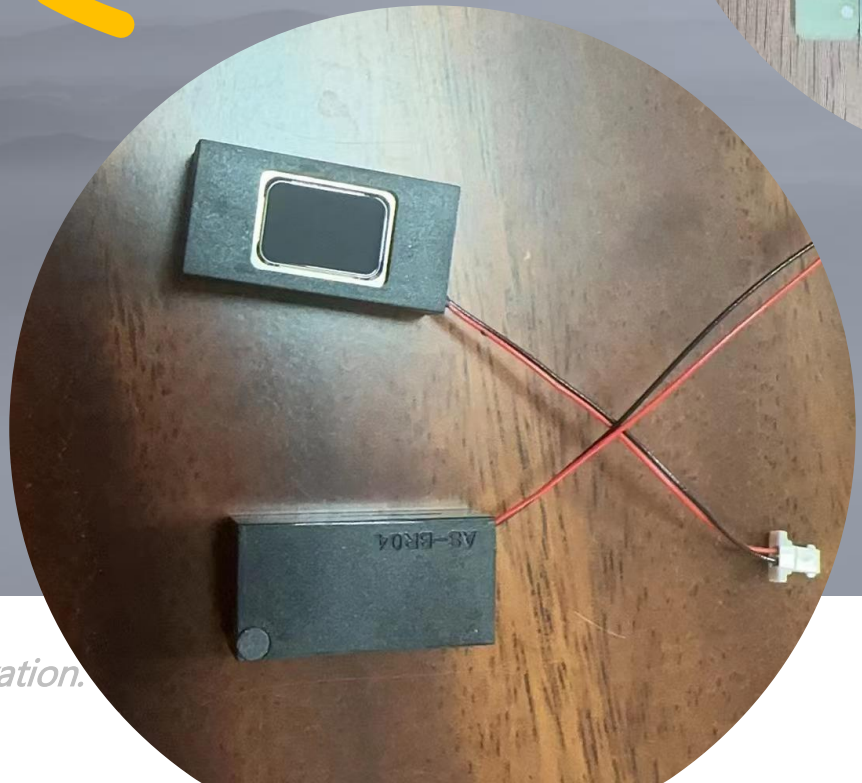
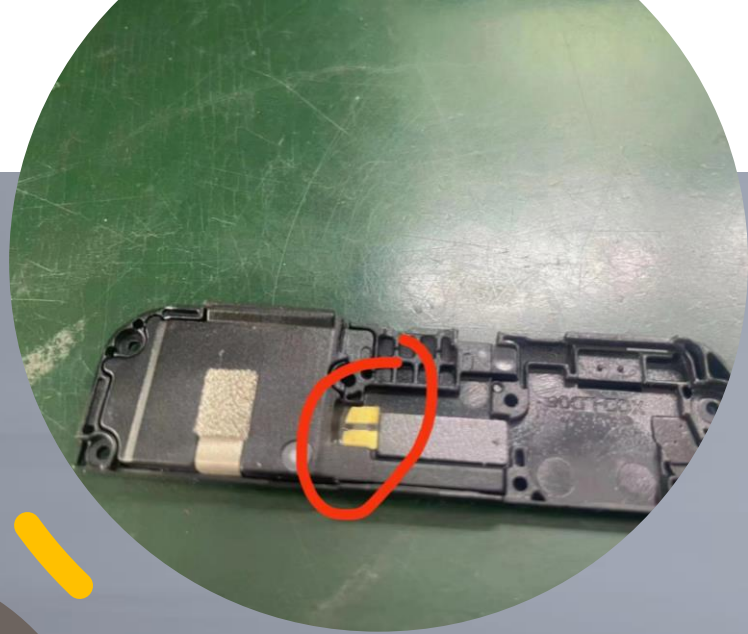


Achieve the Fidelity of every sound engineer

# Brief introduction of Micro-Speaker Kit

*More than manufacturing, Flex Plus sparks your innovation.*



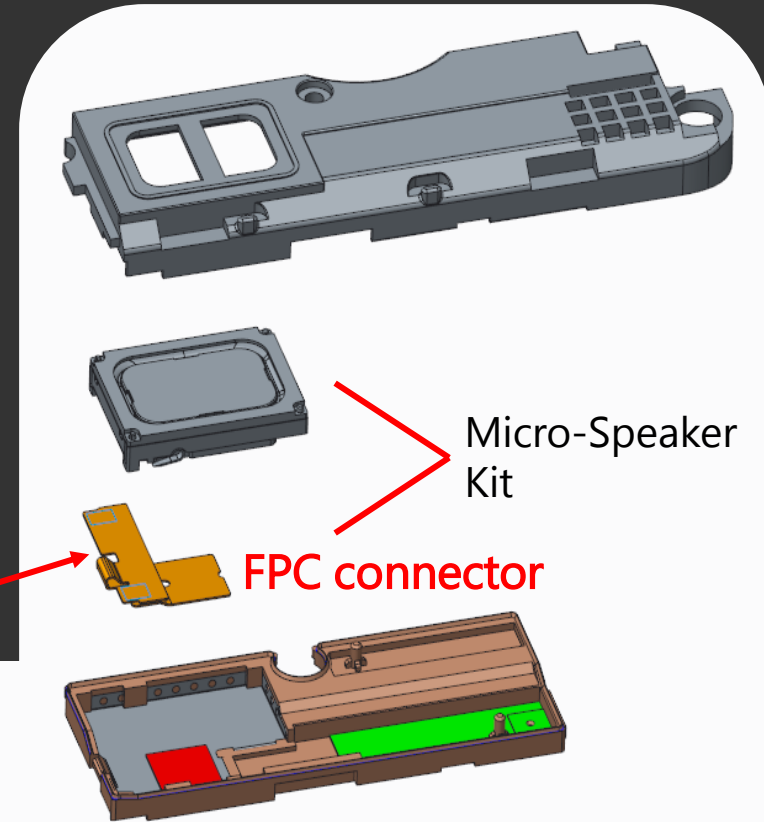


*More than manufacturing, Flex Plus sparks your innovation.*

# The disassembly of speaker box inside the smartphone



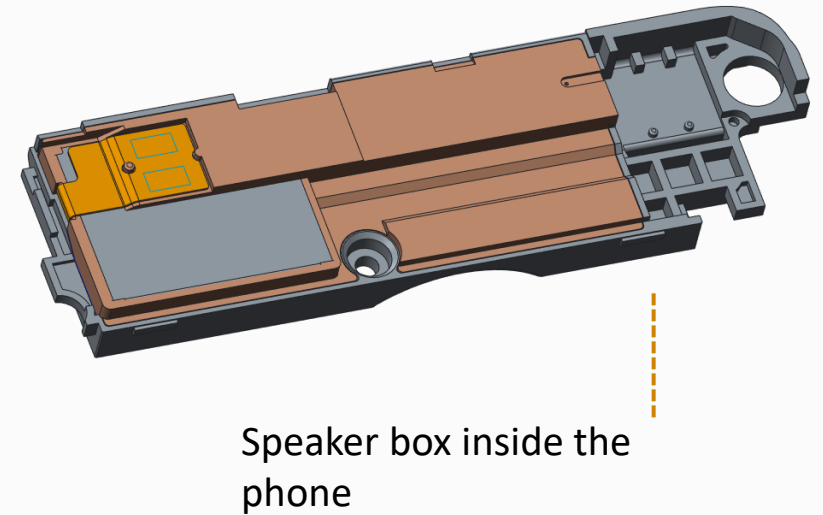
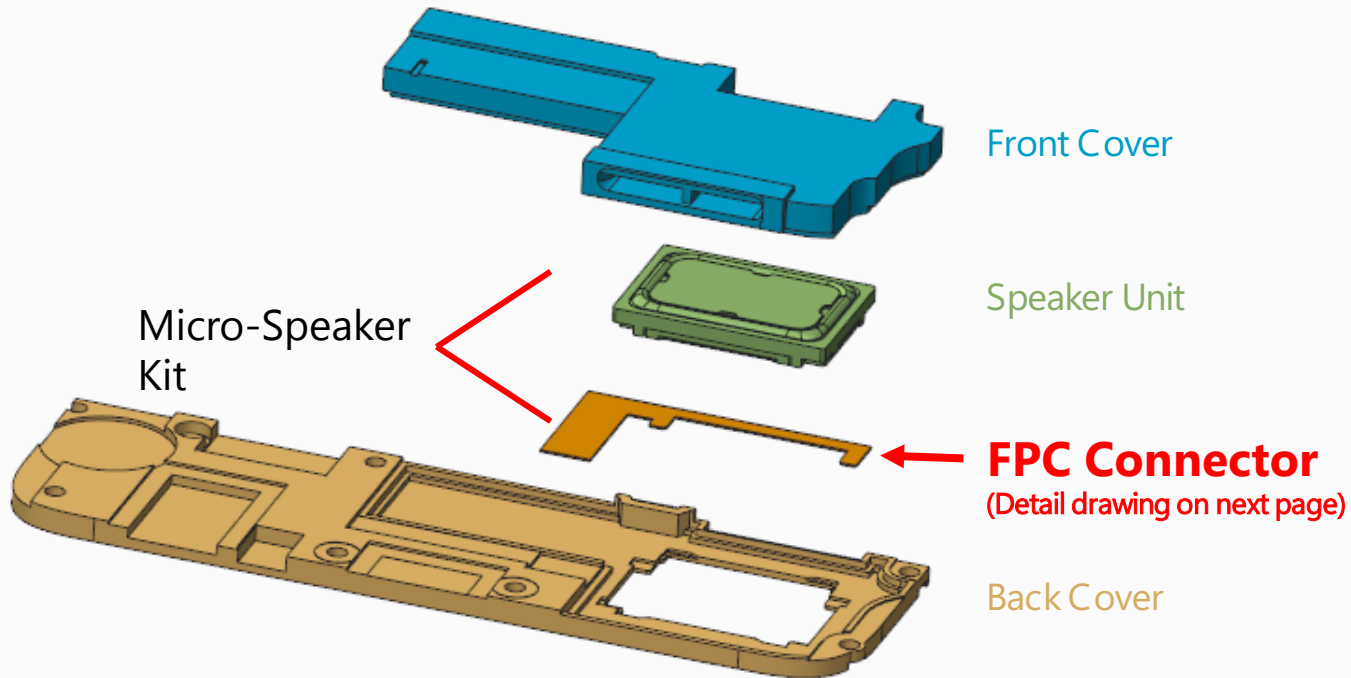
The actual speaker box

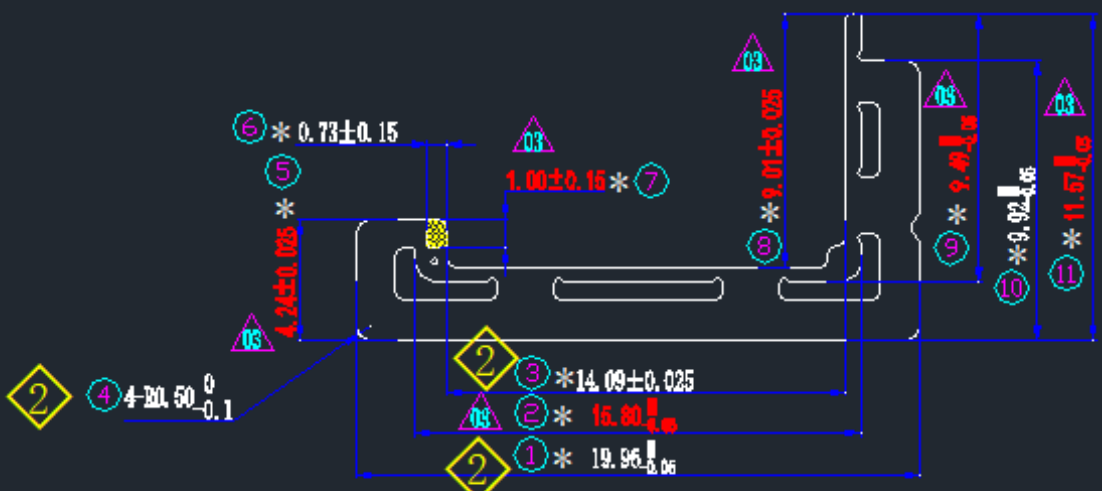


The single speaker unit is installed inside the sound cavity, fixed in place with sealing adhesive and plastic limiting to prevent the single speaker unit from becoming loose then lead to be silent.

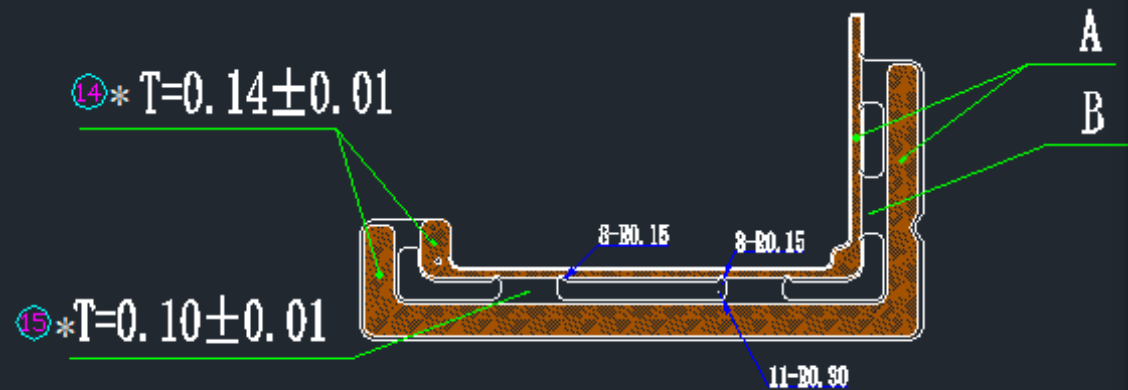
The main structure of the sound cavity is as follows: The front cover and back cover are hermetically sealed through ultrasonic welding or adhesive.

# Another aspect of disassembly of speaker box inside the smartphone



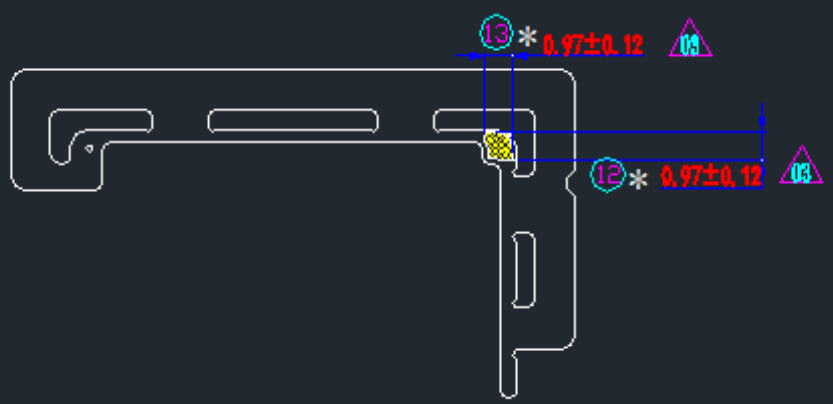


Front

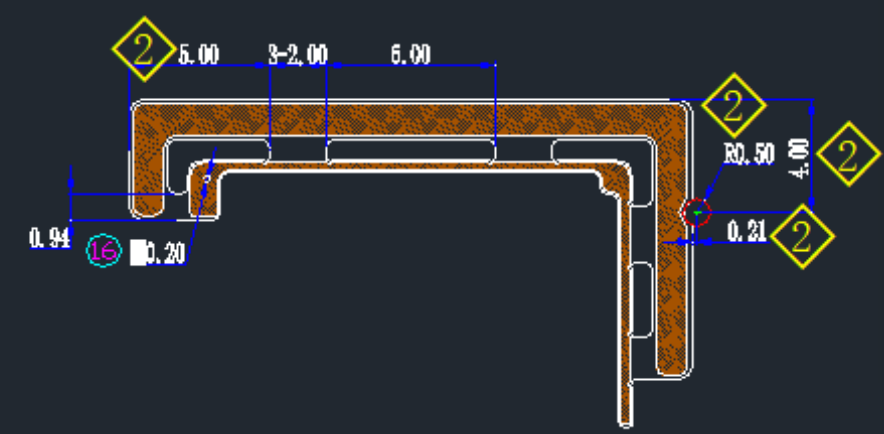


Front

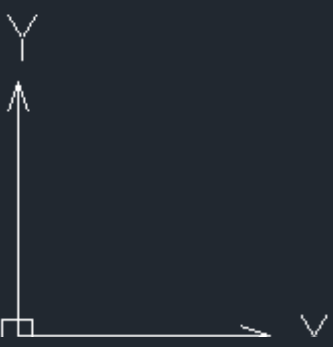
Detail drawing of FPC Connector



Back



Back



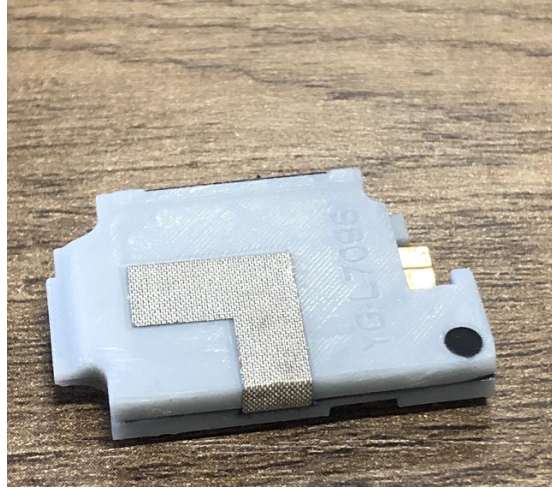
*More than manufacturing, Flex Plus sparks your innovation.*



Sound Outlet



**Wire connection method**  
(Mock-up connection  
before mounted inside the Speaker box)



FPC Connection Method



Recommendations for single speaker unit by Flex Plus

- 1712-2.3 (mm)
- 1511-2.5 (mm)

For adopting the chamber mode, the customer needs to provide the outer shape area of the speaker to avoid the **interference** with other components inside the device.

# FLEX PLUS

*More than manufacturing, Flex Plus sparks your innovation.*

*All the ingenuity starts from here*

■ EN  
gm02@fpc-plus.com

■ CN  
gm01@fpc-plus.com

■ JP  
sales@fpc-plus.com

*Global*  
[www.flexplusfpc.com](http://www.flexplusfpc.com)

*TikTok*  
[@flexpluspcb](https://www.tiktok.com/@flexpluspcb)